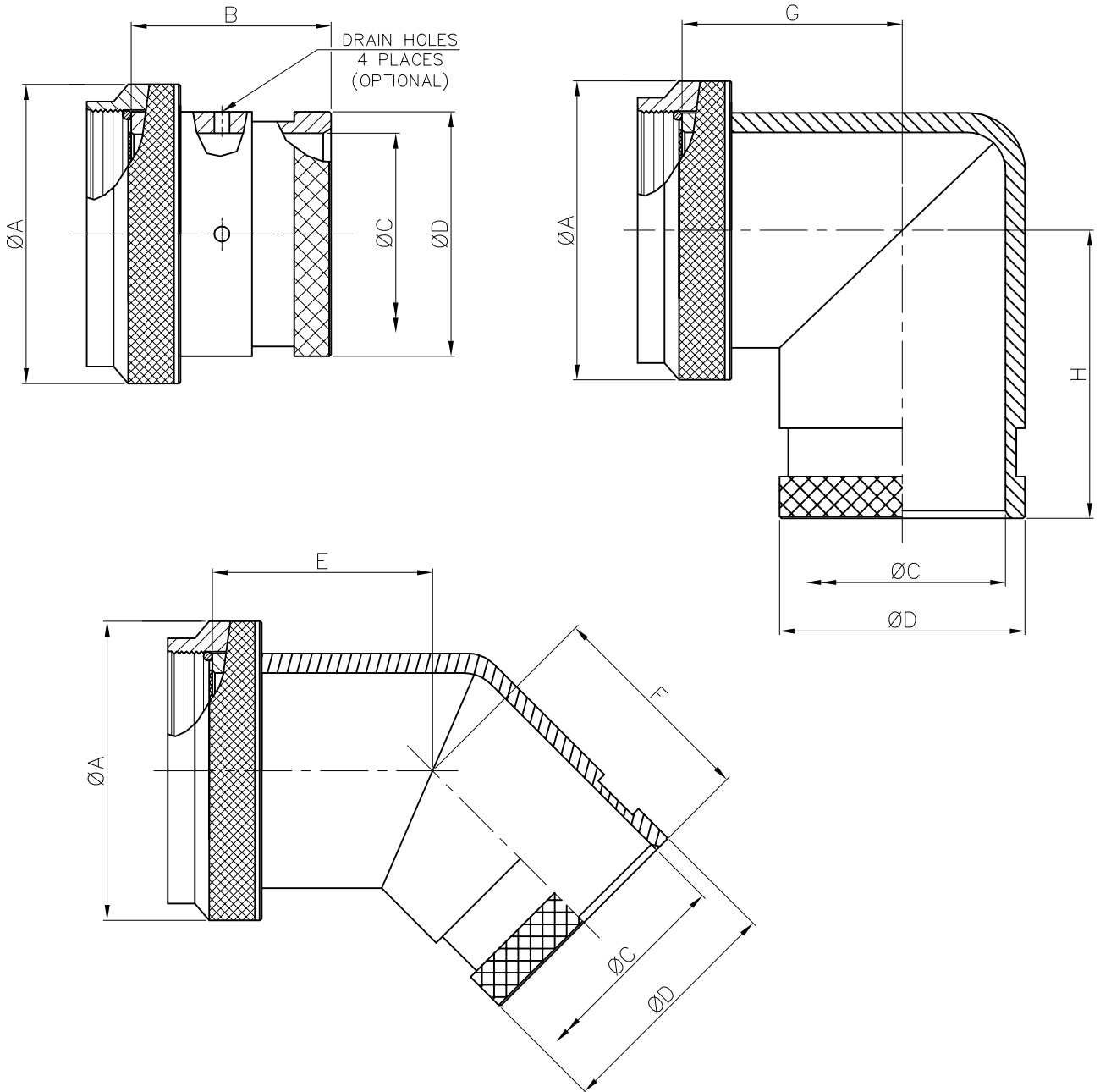


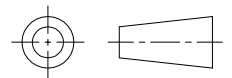
Issue No.	Eng. Ref. No.	REVISIONS	Date	App. By
1	--	ORIGINAL	11/04/06	paramesh
4	1270	ØD 16 SIZE DIMENSION 23.77 CHANGED TO 24.46MM	30/03/08	paramesh

SHRINK BOOT ADAPTER BACKSHELL :-



Amphenol
AIIPL

TITLE **SHRINK BOOT ADAPTER
BACKSHELL**



All Dimensions are in
MM/INCHES

	Name	Date
Drawn by	<i>raghav</i>	08/04/06
Checked by	<i>mahesh</i>	10/04/06
App. by	<i>paramesh</i>	11/04/06

Dwg. Size
A4

Dwg. No. **PSTDBS174**

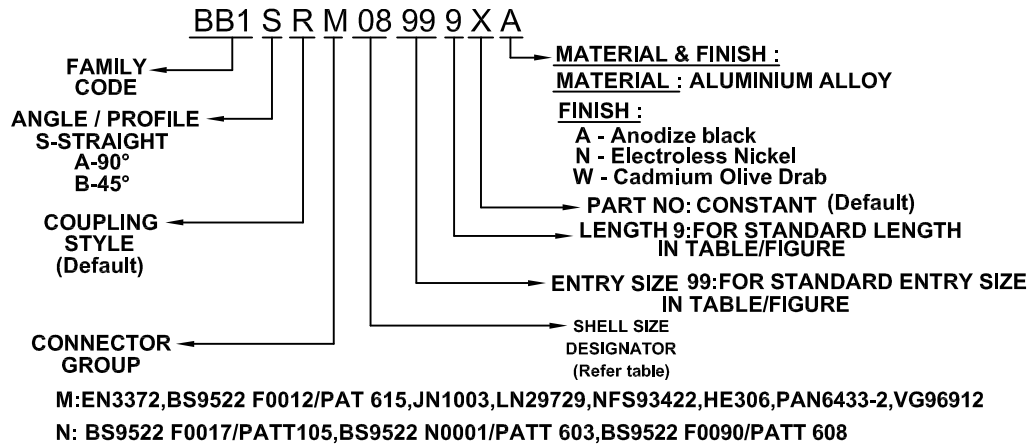
Doc. No.: QF-DEV-76
REV. NO. : 02

Sheet 1 OF 2

STANDARD

Issue No.	Eng. Ref. No.	REVISIONS	Date	App. By
1	--	ORIGINAL	11/04/06	paramesh
4	1270	ØD 16 SIZE DIMENSION 23.77 CHANGED TO 24.46MM	30/05/09	paramesh

PART NUMBERING SYSTEM :-



DIMENSIONS :-

SHELL SIZE DESIGNATOR	CONNECTOR SHELL SIZE	ØA MAX.		B MAX.		ØC MIN.		ØD MAX.		G MAX.		H MAX.		E MAX.		F MAX.	
		INCH	MM	INCH	MM	INCH	MM	INCH	MM	INCH	MM	INCH	MM	INCH	MM	INCH	MM
08	8/9	0.75	19.05	1.00	25.40	0.25	6.35	0.53	13.54	1.13	28.70	0.89	22.60	1.02	25.90	0.78	19.81
10	10/11	0.85	21.59	1.00	25.40	0.38	9.52	0.61	15.37	1.19	30.22	0.95	24.13	1.04	26.41	0.81	20.57
12	12/13	1.00	25.40	1.00	25.40	0.50	12.70	0.77	19.66	1.25	31.75	1.00	25.40	1.09	27.68	0.84	21.33
14	14/15	1.10	29.00	1.00	25.40	0.63	15.88	0.84	21.29	1.31	33.35	1.04	26.41	1.12	28.44	0.86	21.84
16	16/17	1.25	31.75	1.00	25.40	0.75	19.05	0.94	24.46	1.38	35.05	1.10	27.94	1.10	27.94	0.88	22.35
18	18/19	1.40	35.56	1.00	25.40	0.81	20.62	1.04	26.47	1.42	36.06	1.12	28.44	1.12	28.44	0.89	22.60
20	20/21	1.50	38.10	1.00	25.40	0.94	23.80	1.22	30.91	1.48	37.59	1.17	29.71	1.16	29.46	0.91	23.11
22	22/23	1.65	41.91	1.00	25.40	1.06	26.97	1.36	34.42	1.54	39.11	1.26	32.00	1.18	29.97	0.95	24.13
24	24/25	1.75	44.45	1.00	25.40	1.19	30.18	1.44	36.65	1.61	40.89	1.34	34.03	1.21	30.73	0.98	24.89

MATERIAL :-

- ↳ Aluminium alloy as per ASTM B211 / B85
- ↳ Corrosion resistant steel as per AMS-QQ-S-763

NOTE :-

- ↳ For more Cable Entry and length options please refer PSTDBS508.

Amphenol			TITLE SHRINK BOOT ADAPTER BACKSHELL				
AIPL						All Dimensions are in MM/INCHES	
Name		Date	Dwg. Size	Dwg.No. PSTDBS174		STANDARD	
Drawn by <i>raghav</i>		08/04/06					
Checked by <i>mahesh</i>		10/04/06	A4	Doc. No.: QF-DEV-76		Sheet 2 OF 2	
App. by <i>paramesh</i>		11/04/06		REV. NO. : 02			