

Amphenol

MANUFACTURING INSTRUCTION

Number: 123GB-0839

Issue: 1

Page:

Print test box



1 of 9

Products are sold subject to Amphenol's conditions of sale ("the standard conditions"). All specifications and statements contained herein are believed to be correct at the time a printing, but no representation or warranty, express or implied is, given as to any specification or statement contained herein. Product specifications including performance characteristics are typical only and subject to deviation. Specifications are also subject to change without notice. Users should not assume that all safety measures are indicated or that measures may not be required. No representation or warranty, express or implied, is given that any use of products (including any stated or suggested use) does not infringe any patent, registered design or other third party rights and no stated or suggested use of products can be taken to recommend any such infringement.

**** FOLLOW ALL LOCAL HEALTH AND SAFETY POLICIES ****

**123GB-0839 refers to product part number family
WPTV-00XXXX-XXX-XXXX**

WPTV-00 style = Wall mount receptacle.

Key Points with reference to this assembly.

1. Refer to the catalogue for part number breakdown.
2. This document covers different accessory types.
See the next page for variant types and reference views.
3. The backshell of the connectors are supplied loose.
These must be terminated by the user prior to use.

List of Documents used in this spec

123GB-0845	Torque settings & tools
123GB-0846	Crimp settings & tools

List of Tools used in this MI

Torque tools	See document 123GB-0845
Crimp tools	See document 123GB-0846

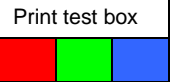
Release / Changes:	DRAFT A	DRAFT B	Issue 1				
Originator:	MSS	MJS	JT				
Date:	26/02/14	03/03/14	24/7/14				

Amphenol

Number: 123GB-0839

Issue: 1

Page:

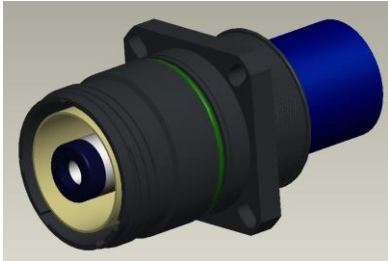


2 of 9

MANUFACTURING INSTRUCTION

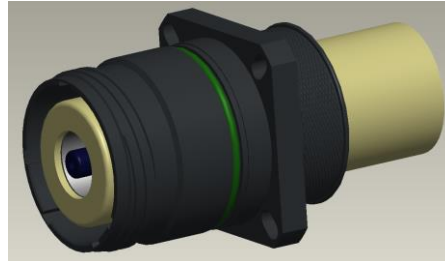
Reference views.

WPTV-00XXXX-XXX-XPXA
Pin variant



General assembled view/s of the assembly, for reference.

WPTV-00XXXX-XXX-XSXA
Socket variant



General assembled view/s of the assembly, for reference.

Reference views.

WPTV-00XXXX-XXX-XPXB
Pin variant



General assembled view/s of the assembly, for reference.

WPTV-00XXXX-XXX-XSXB
Socket variant



General assembled view/s of the assembly, for reference.

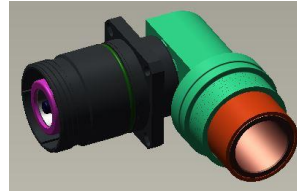
Reference views.

WPTV-00XXXX-XXX-XPXC
Pin variant



General assembled view/s of the assembly, for reference.

WPTV-00XXXX-XXX-XSXC
Socket variant



General assembled view/s of the assembly, for reference.

Release / Changes:	DRAFT A	DRAFT B	Issue 1			
Originator:	MSS	MJS	JT			
Date:	26/02/14	03/03/14	24/7/14			

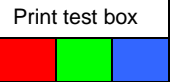
Amphenol

MANUFACTURING INSTRUCTION

Number: 123GB-0839

Issue: 1

Page:

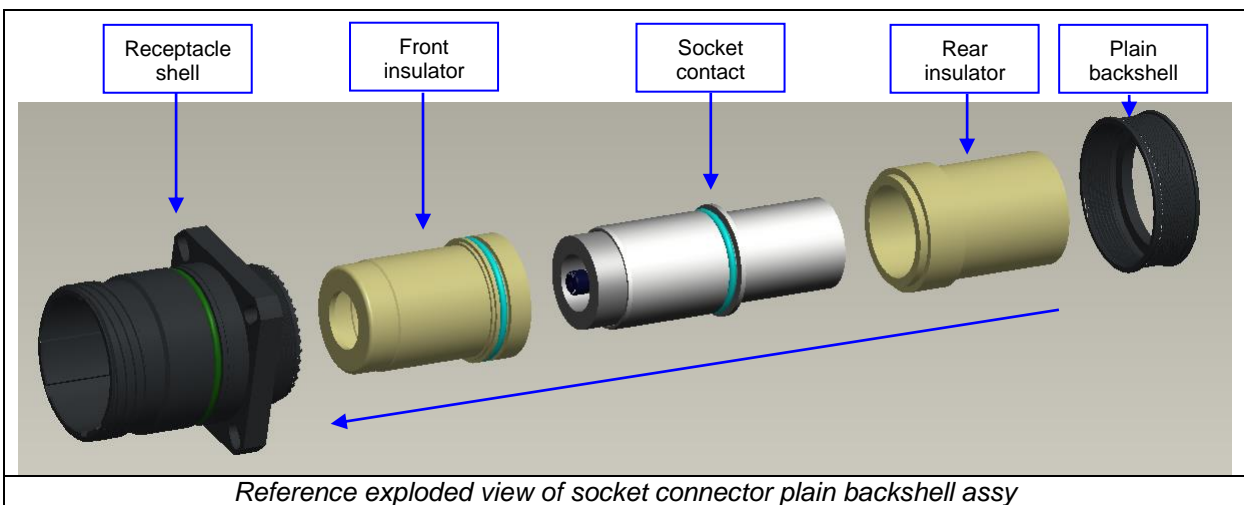
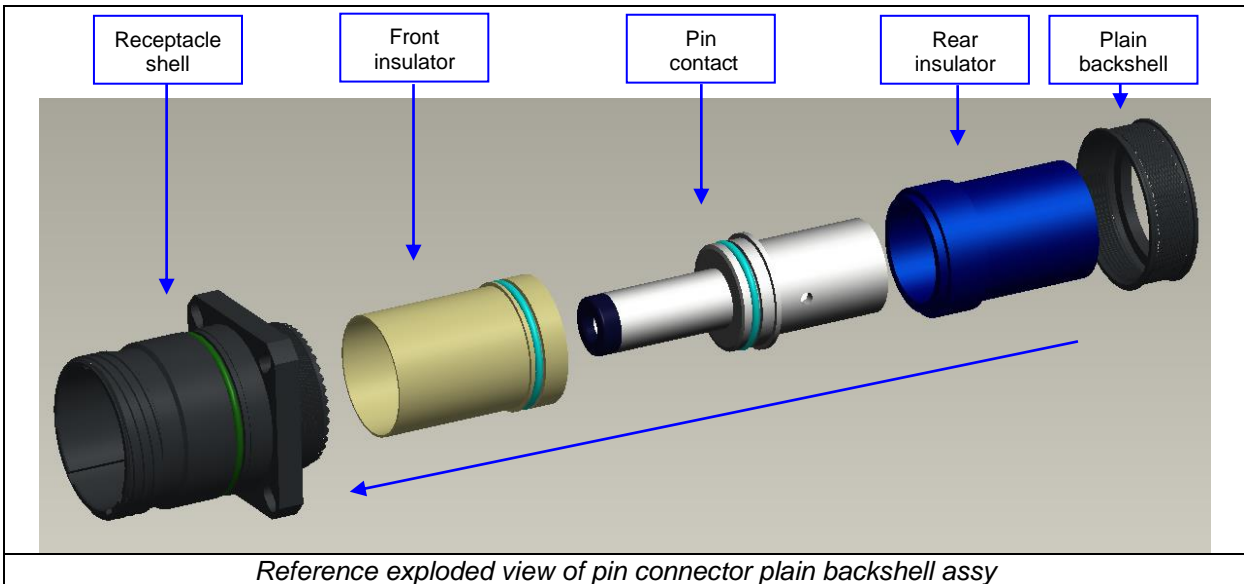


3 of 9

OP 10. **WPTV-00XXXX-XXX-1XXA variant.**
(also WPTV-00XXXX-XXX-6XXA, WPTV-00XXXX-XXX-7XXA, WPTV-00XXXX-XXX-8XXA variants).

Main Steps

- 1). Unpack the connector. Remove the plain backshell, rear insulator & contact assembly, and retain for assembly later.
 - 1a). *O-rings must be fitted as per illustrations (including suitable grease) for connector to seal.*
- 2). Feed the plain backshell then insulator onto the prepared cable and terminate the contact as per document 123GB-0846.
- 3). Assemble the terminated contact into the front insulator in the receptacle shell.
- 4). Assemble the rear insulator over the rear of the contact assembly.
- 5). Secure the plain backshell as per document 123GB-0845.



Release / Changes:	DRAFT A	DRAFT B	Issue 1				
Originator:	MSS	MJS	JT				
Date:	26/02/14	03/03/14	24/7/14				

Amphenol

MANUFACTURING INSTRUCTION

Number: 123GB-0839

Issue: 1

Page:

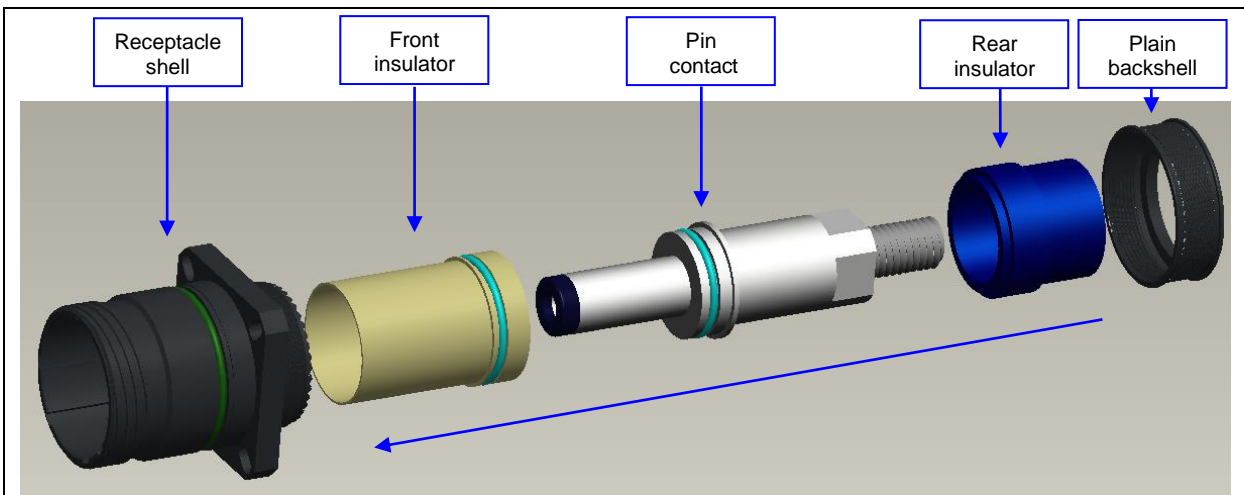
Print test box

4 of 9

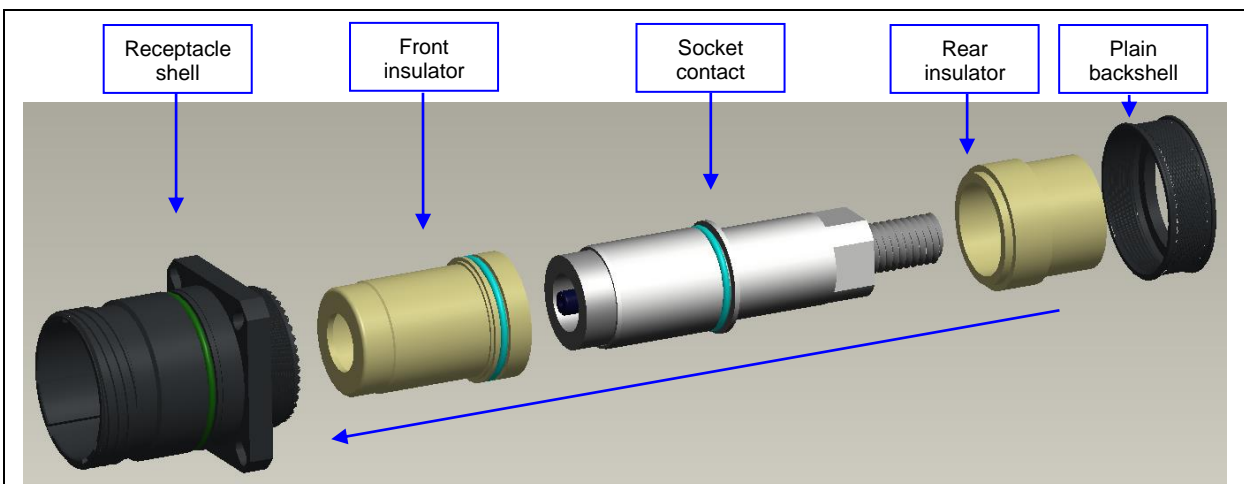
OP 10. WPTV-00XXXX-XXX-2XXA variant.

Main Steps

- 1). Unpack the connector. Remove the plain backshell, rear insulator & contact assembly, and retain for assembly later.
 - 1a). O-rings must be fitted as per illustrations (including suitable grease) for connector to seal.
- 2). Feed the plain backshell then insulator onto the prepared cable and terminate the contact as per document 123GB-0846.
- 3). Assemble the terminated contact into the front insulator in the receptacle shell.
- 4). Assemble the rear insulator over the rear of the contact assembly.
- 5). Secure the plain backshell as per document 123GB-0845.



Reference exploded view of pin connector plain backshell assy



Reference exploded view of socket connector plain backshell assy

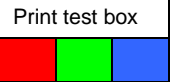
Release / Changes:	DRAFT A	DRAFT B	Issue 1				
Originator:	MSS	MJS	JT				
Date:	26/02/14	03/03/14	24/7/14				

Amphenol

Number: 123GB-0839

Issue: 1

Page:



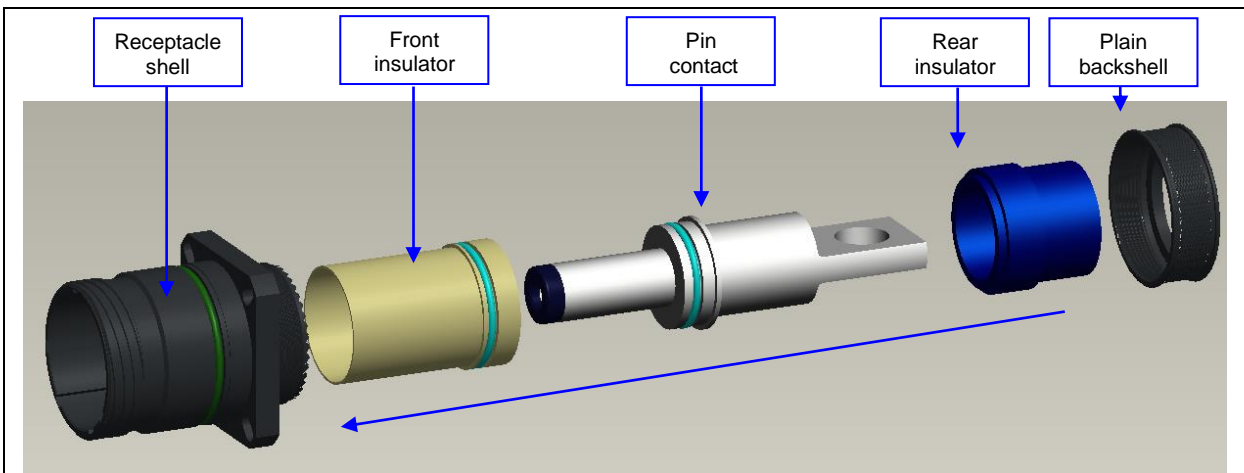
5 of 9

MANUFACTURING INSTRUCTION

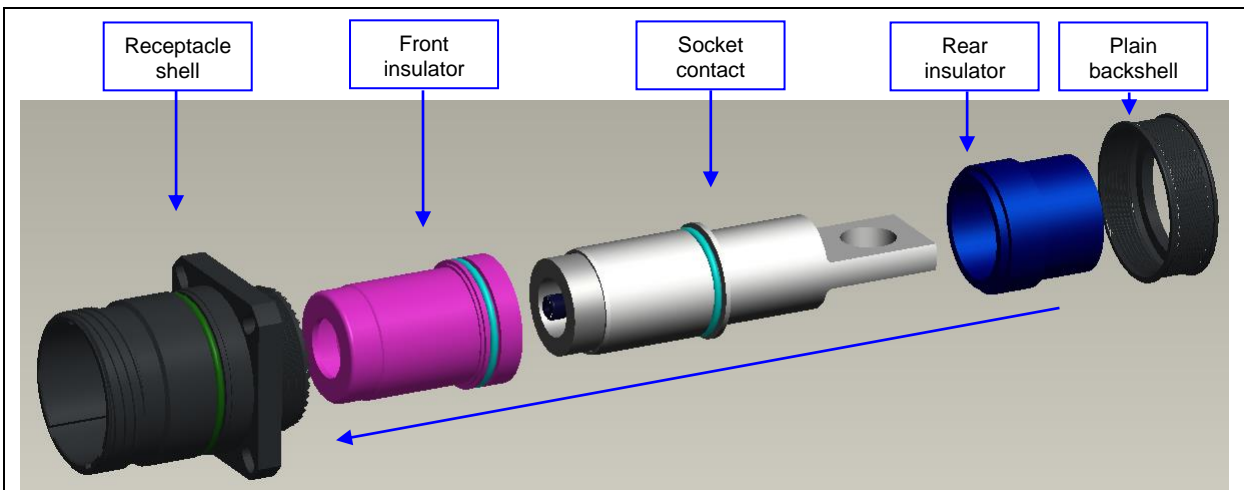
OP 10. WPTV-00XXXX-XXX-3XXA variant.

Main Steps

- 1). Unpack the connector. Remove the plain backshell, rear insulator & contact assembly, and retain for assembly later.
 - 1a). O-rings must be fitted as per illustrations (including suitable grease) for connector to seal.
- 2). Feed the plain backshell then insulator onto the prepared cable and terminate the contact as per document 123GB-0846.
- 3). Assemble the terminated contact into the front insulator in the receptacle shell.
- 4). Assemble the rear insulator over the rear of the contact assembly.
- 5). Secure the plain backshell as per document 123GB-0845.



Reference exploded view of pin connector plain backshell assy



Reference exploded view of socket connector plain backshell assy

Release / Changes:	DRAFT A	DRAFT B	Issue 1			
Originator:	MSS	MJS	JT			
Date:	26/02/14	03/03/14	24/7/14			

Amphenol

MANUFACTURING INSTRUCTION

Number: 123GB-0839

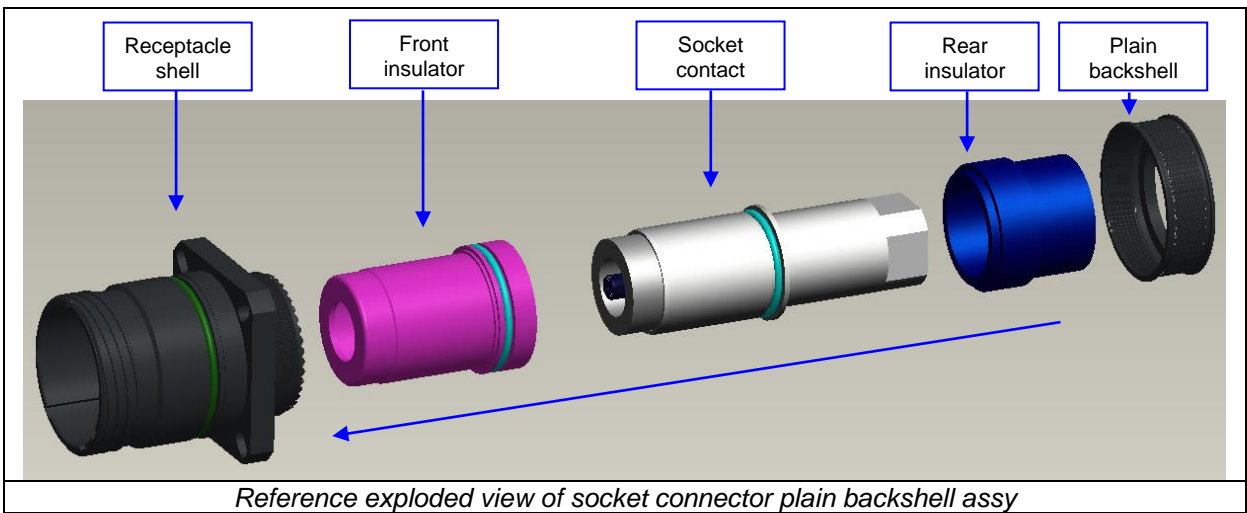
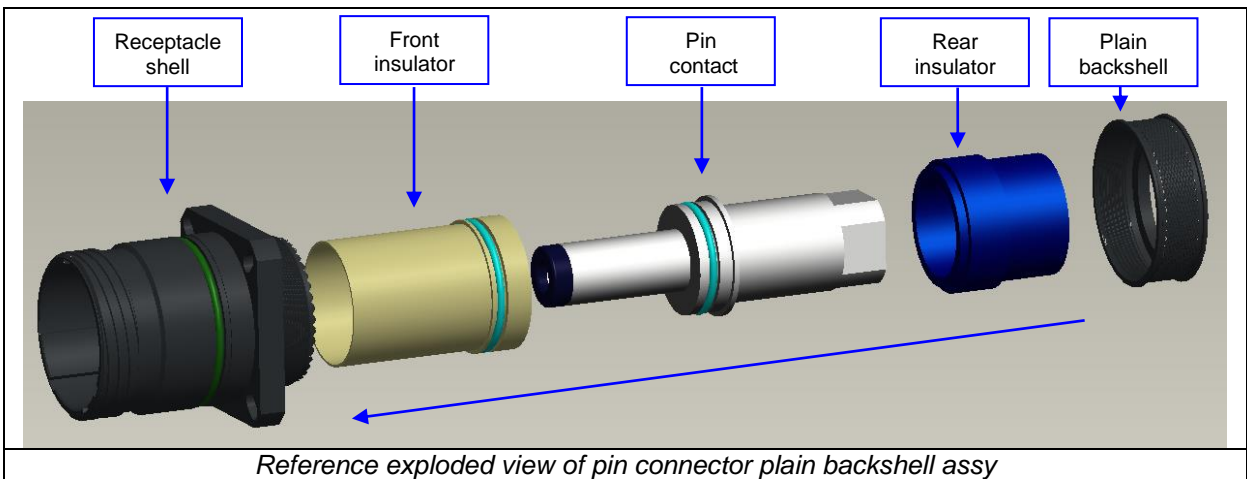
Issue: 1

Page:

Print test box

6 of 9

OP 10.	WPTV-00XXXX-XXX-5XXA variant.
Main Steps	
<p>1). Unpack the connector. Remove the plain backshell, rear insulator & contact assembly, and retain for assembly later.</p> <p style="padding-left: 20px;">1a). O-rings must be fitted as per illustrations (including suitable grease) for connector to seal.</p> <p>2). Feed the plain backshell then insulator onto the prepared cable and terminate the contact as per document 123GB-0846.</p> <p>3). Assemble the terminated contact into the front insulator in the receptacle shell.</p> <p>4). Assemble the rear insulator over the rear of the contact assembly.</p> <p>5). Secure the plain backshell as per document 123GB-0845.</p>	



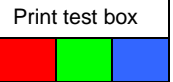
Release / Changes:	DRAFT A	DRAFT B	Issue 1			
Originator:	MSS	MJS	JT			
Date:	26/02/14	03/03/14	24/7/14			

Amphenol

Number: 123GB-0839

Issue: 1

Page:



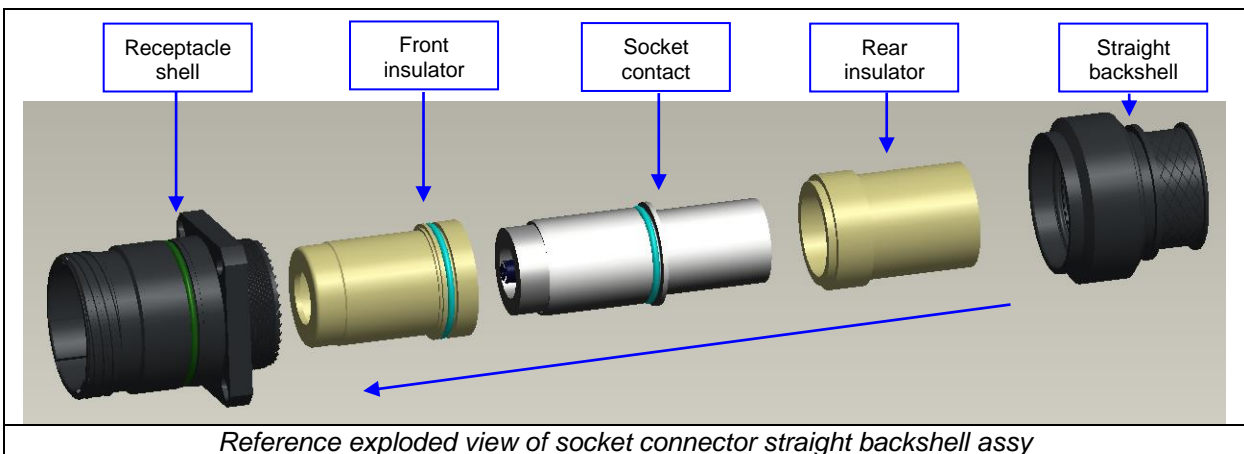
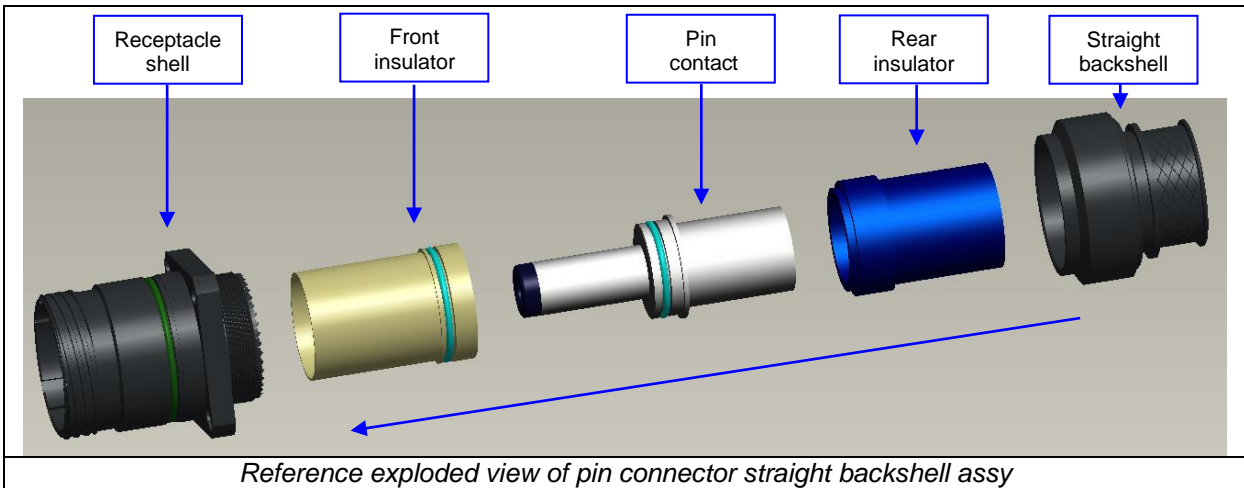
7 of 9

MANUFACTURING INSTRUCTION

OP 10. **WPTV-00XXXX-XXX-1XXB variant.**
(also WPTV-00XXXX-XXX-6XXB, WPTV-00XXXX-XXX-7XXB, WPTV-00XXXX-XXX-8XXB variants).

Main Steps

- 1). Unpack the connector. Remove the straight backshell, rear insulator & contact assembly, and retain for assembly later.
 - 1a). *O-rings must be fitted as per illustrations (including suitable grease) for connector to seal.*
- 2). Feed the straight backshell then insulator onto the prepared cable and terminate the contact as per document 123GB-0846.
- 3). Assemble the terminated contact into the front insulator in the receptacle shell.
- 4). Assemble the rear insulator over the rear of the contact assembly.
- 5). Secure the straight backshell as per document 123GB-0845.



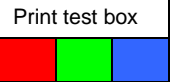
Release / Changes:	DRAFT A	DRAFT B	Issue 1			
Originator:	MSS	MJS	JT			
Date:	26/02/14	03/03/14	24/7/14			

Amphenol

Number: 123GB-0839

Issue: 1

Page:



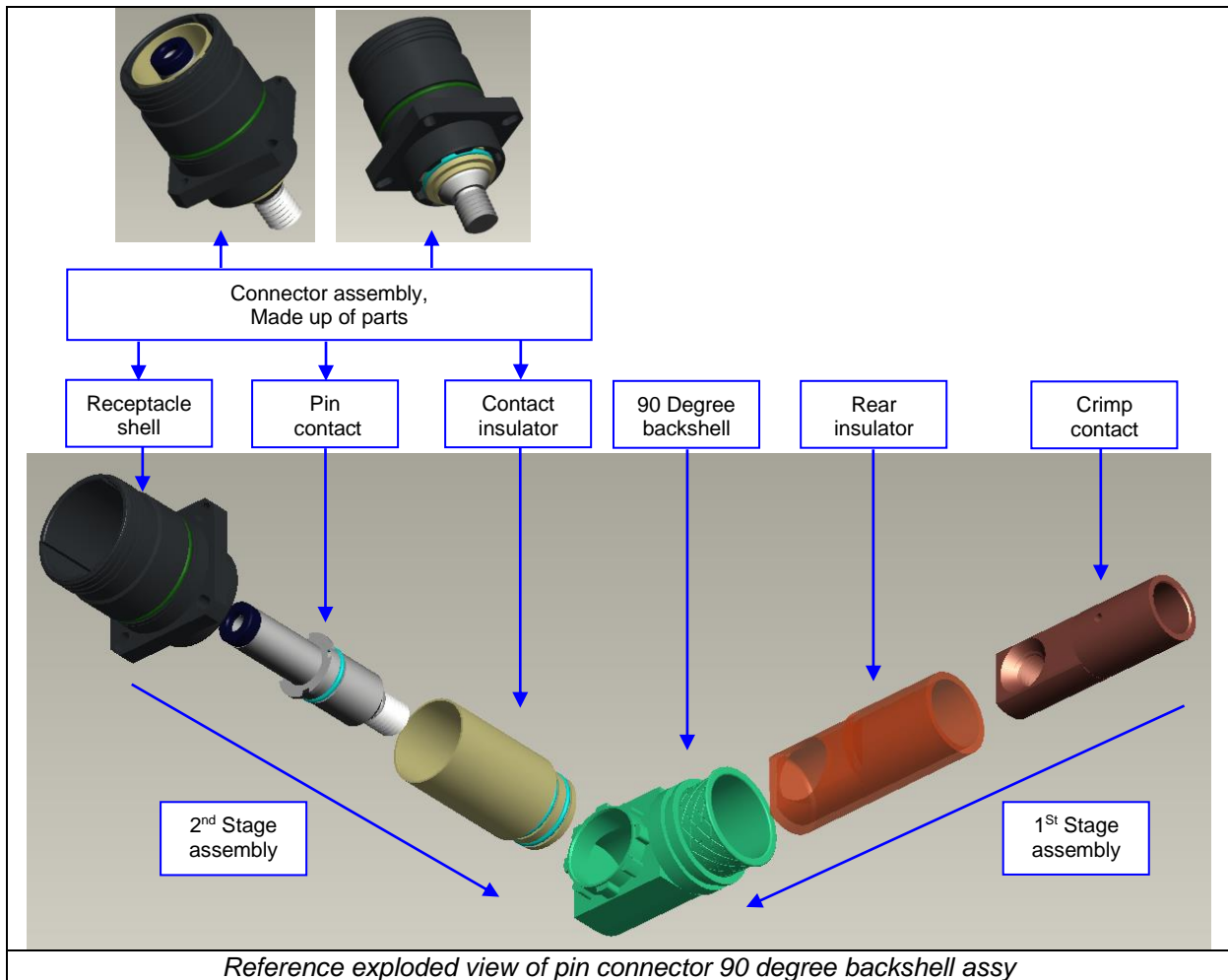
8 of 9

MANUFACTURING INSTRUCTION

OP 10. **WPTV-00XXXX-XXX-1XXC variant.**
(also WPTV-00XXXX-XXX-6XXC, WPTV-00XXXX-XXX-7XXC, WPTV-00XXXX-XXX-8XXC, WPTV-00XXXX-XXX-9XXC variants).

Main Steps

- 1). Unpack the connector. Remove the 90 degree backshell, backshell insulator & crimp contact, and retain for assembly later.
 - 1a). *O-rings must be fitted as per illustrations (including suitable grease) for connector to seal.*
- 2). Terminate the contact as per document 123GB-0846. Place over front of the terminated contact the backshell insulator.
- 3). (1st stage assembly). Assemble the terminated contact & backshell insulator in to the rear of the 90 degree backshell.
- 4). (2nd stage assembly). ***Remember to set the desired main key position prior to performing this step***. Assemble the connector assembly to the backshell.
- 5). Using the tooling & setting as per document 123GB-0845. Secure the connector assembly to the backshell via the terminated contact.



Release / Changes:	DRAFT A	DRAFT B	Issue 1				
Originator:	MSS	MJS	JT				
Date:	26/02/14	03/03/14	24/7/14				

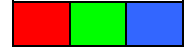
Amphenol

Number: 123GB-0839

Issue: 1

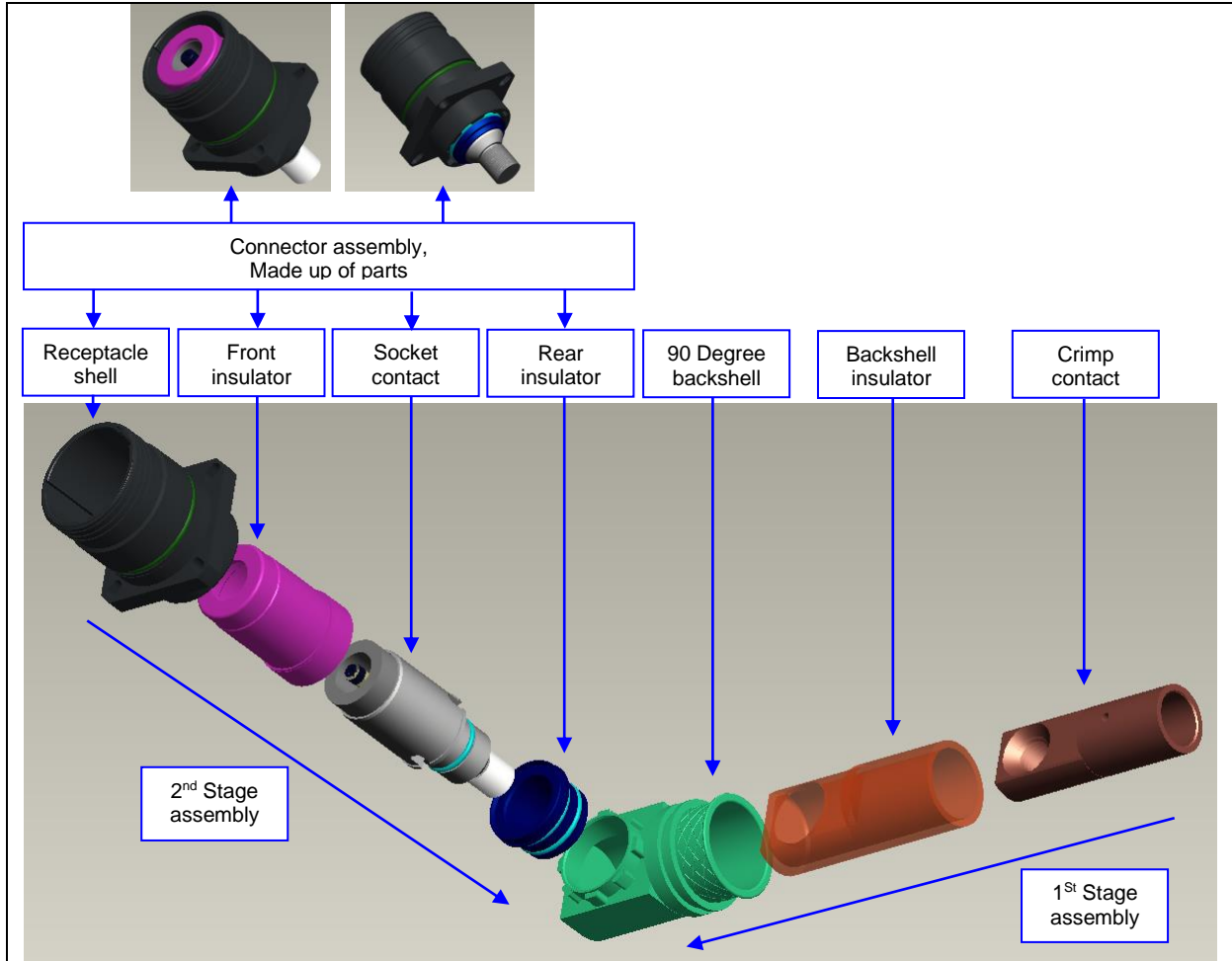
Page:

Print test box



9 of 9

MANUFACTURING INSTRUCTION



Reference exploded view of socket connector 90 degree backshell assy

OP 20.	Inspection.	
Main Steps	Key Points	Sketch / Picture
Inspect the connector assembly.	Check for any damage that would effect functionally of the product.	

Release / Changes:	DRAFT A	DRAFT B	Issue 1			
Originator:	MSS	MJS	JT			
Date:	26/02/14	03/03/14	24/7/14			